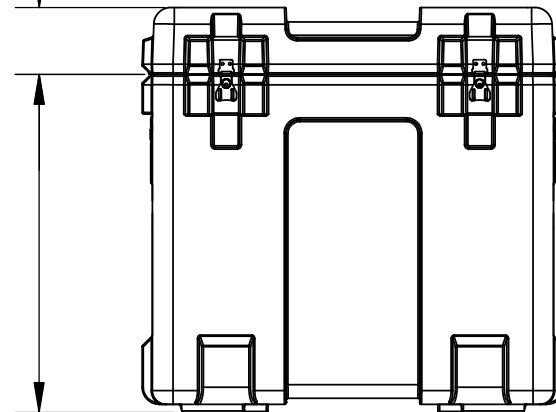
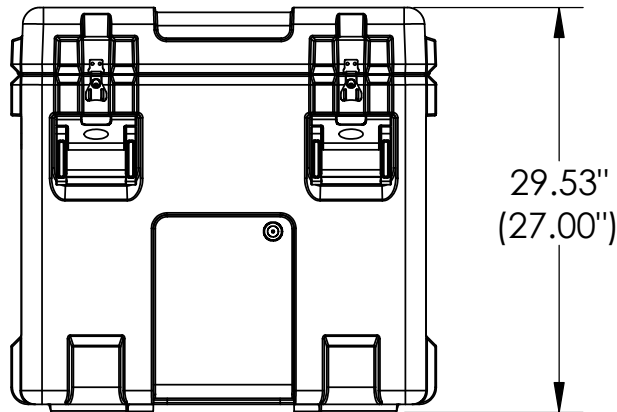


4.88"
(3.63")



3R2727-27



434 West Levers Place
Orange, CA 92867
Phone: (714) 637-1252
Fax: (714) 637-0491
<http://www.skbcases.com>

This drawing and all information details are the sole property of SKB Corporation, Orange CA. Any unauthorized use will be punished to the full extent of the law.

Case Series:	Mil-Standard				Dimensions (for reference only)			
	Case part#	3R2727-27"			Length left to right	Width front to back	Overall height	Base / Lid height
Weight:	45.7 LBS EMPTY	Exterior	31.00"	30.75"	29.53"	24.65"-4.88"		
		Interior	27.00"	27.00"	27.00"	23.37"-3.63"		

NOTE: DIMENSIONS IN (X.XX) ARE ID